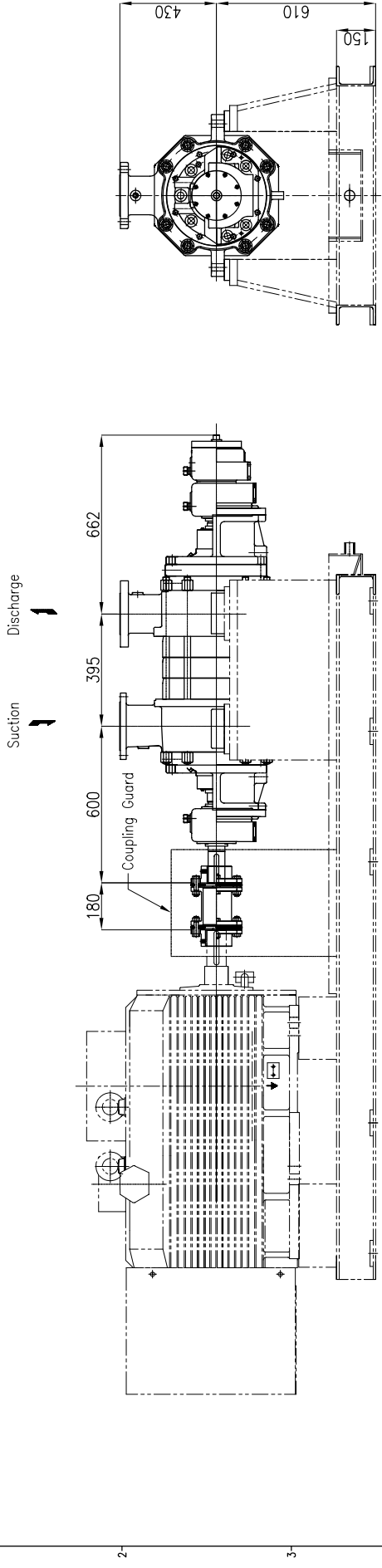


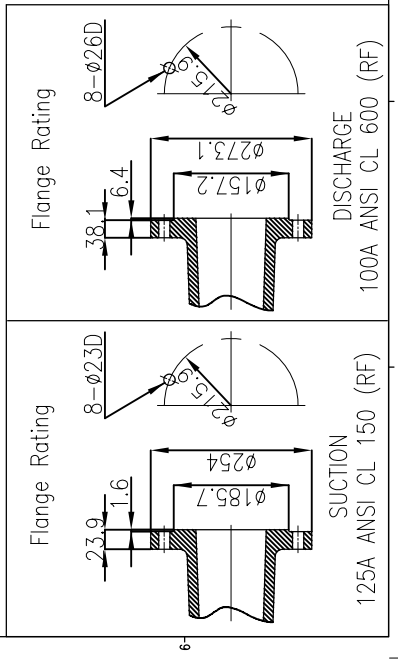
A B C D E F G

PUMP				
SERVICE NAME	MODEL	CAPACITY( $m^3/hr$ )	HEAD (m)	REVOLUTION(RPM)
BOILER FEED WATER PUMP	HTS125x100-4S	180	520	3575



NOTE.

- BOILER FEED WATER PUMP : Centrifugal Multi Stage Pump [MAKER: CW-HYDRO, MODEL: HTS125x100-4S]  
 $3m^3/min$  x 520m x 380kW, 3575rpm, A487 CA6NM / A487 CA6NM / SUS420J2, Mechanical Seal, Cooler, Coupling without Motor & Base for Boiler Feed Water Pump



NO.		DESCRIPTION		DATE		REVISIONS		REMARKS	
NO.	DATE	DESCRIPTION	DATE	NO.	DESCRIPTION	DATE	NO.	DESCRIPTION	DATE

GENERAL ARRANGEMENT DRAWING									
TITLE		DRAWN		CHECKED		APPROVED		DATE	
HTS125x100-4S		J.H. HAN/D.K. KIM		J.H. HAN/D.K. KIM		J.H. HAN/D.K. KIM		J.H. HAN/D.K. KIM	
FOR APPROVAL		DRAIN		CHECKED		APPROVED		DATE	
REVISIONS & DESCRIPTION		Drawn		Checked		Reviewed		Approved	

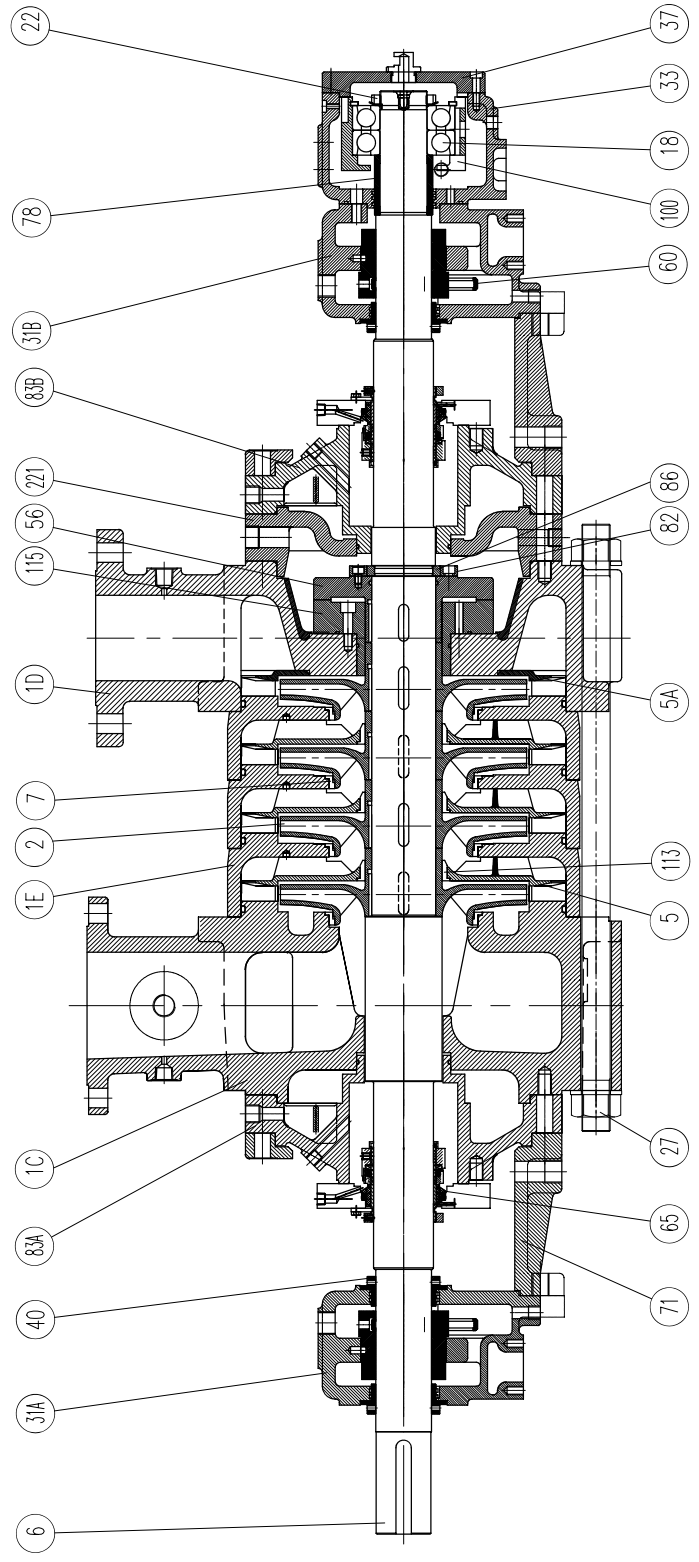
  

SCALE	PROJECTION	UNIT
AS	1st	MM

**CW-Hydro, Inc.**

A B C D E F G



22	Bearing Nut/Washer	A36(SS275)				
18	Bearing	B-STEEL				
7	Casing Ring	A276 420(SUS420J2)				
6	Shaft	A276 420(SUS420J2)				
5A	Diffuser A	A487 C68NM				
5	Diffuser	A487 C68NM				
2	Impeller	A487 C68NM				
1E	Stage Casing	A487 C68NM				
1D	Disch. Casing	A487 C68NM				
1C	Suc. Casing	A487 C68NM				
NO	PART NAME	MATERIAL				
71	Adaptor	A48 CL30(GC200)				
65	Mechanical Seal	-				
60	Oil Ring	B584 C903(BC2)				
56	Balance Disc	A276 420(SUS420J2)				
40	Deflector	B584 C903(BC2)				
37	Bearing Cover	A48 CL30(GC200)				
33	Bearing Housing	A536 G65-45-12(GCDM450)				
31B	Bearing Housing(NDE)	A536 G65-45-12(GCDM450)				
31A	Bearing Housing(DE)	A536 G65-45-12(GCDM450)				
27	Tie Bolt/Nut	A322 4140(SCM440)				
NO	PART NAME	MATERIAL				
221	Casing Cover	A487 C68NM				
115	Balance Seat	A276 420(SUS420J2)				
113	Bush	A276 420(SUS420J2)				
100	Bearing Holder	A576 1045(SM45C)				
86	Split Ring	A276 420(SUS420J2)				
83B	Stuffing Box(NDE)	A487 C68NM				
83A	Stuffing Box(DE)	A487 C68NM				
82	Split Ring Holder	A276 420(SUS420J2)				
78	Bearing Spacer	A576 1045(SM45C)				
NO	PART NAME	MATERIAL				

SECTIONAL DRAWING		DATE		SCALE		REMARKS	
CHECKED	APPROVED	DATE	SCALE	REVISION	DATE	REVISION	DATE
TITLE: _____ DRAWN: _____ CHECKED: _____ APPROVED: _____ DATE: _____							
FOR APPROVAL: _____ REVISIONS & DESCRIPTION: _____							